

ALGIZ 7

Vehicle Docking Quick Guide



handheld

Copyright Notice

Copyright © 2010 Handheld Group AB, ALL RIGHTS RESERVED. No part of this document may be reproduced, copied, translated, or transmitted in any form or by any means, electronic or mechanical, for any purpose, without the prior written permission of the original manufacturer.

Trademark Acknowledgement

Brand and product names are trademarks or registered trademarks of their respective owners.

Disclaimer

Handheld Group reserves the right to make any product changes without notice, including circuits and/or software described or contained in this guide in order to improve design and/or performance. Handheld Group assumes no responsibility or liability for the use of the described product(s), conveys no license or title under any patent, copyright, or masks work rights to these products, and makes no representations or warranties that these products are free from patent, copyright, or mask work right infringement, unless otherwise specified. Applications that are described in this guide are for illustration purposes only. Handheld Group makes no representation or warranty that such application will be suitable for the specified use without further testing or modification.

Warranty

Handheld Group warrants that each of its products will be free from material and workmanship defects for a period of one year from the invoice date. If the customer discovers a defect, Handheld Group will at its option, repair or replace the defective product at no charge to the customer, provided it is returned during the warranty period of one year, with transportation charges prepaid. The returned product must be properly packaged in its original packaging to obtain warranty service.

Customer Service

We provide a service guide for any problems; see the following steps First visit the website at <http://www.handheldgroup.com> to find the updated information about the product. Secondly, contact your distributor, sales representative, or our customer service center for technical support if you need additional assistance. You need to have the following information ready before you call

- Product's serial number
- Peripheral attachments
- Software (OS, version, application software, etc.)
- Description of complete problem

The exact wording of any error messages with print screen images

In addition, free technical support is available from our engineers during every business day. We are always ready to give advice on application requirements or specific information on the installation and operation of any of our products. Please do not hesitate to call or e-mail us.

Manufacturer: Handheld Group AB

Address: Kinnegatan 17, 531 33 Lidköping, Sweden

TEL: +46-510 54 71 70

FAX: +46-510 282 05

Safety Precautions

Safety Precautions



Always completely disconnect the power cord from your chassis whenever you work with the hardware. Do not connect the electronic device with power socket while the device's power is on. Sensitive electronic components can be damaged by sudden power surges. Only experienced electronics personnel should open the PC's chassis mechanical housing.

Caution!



Always ground yourself to remove any static charge before touch the CPU card. The electronic devices are very sensitive to static electricity. As a safety precaution, use a grounding wrist strap all the time. Place all electronic components in a static-dissipative surface or static-shielded bag when they are not in the chassis.

UL Safety Announcement



UL Classification: Class I mark: with respect to electronic shock; Fire and hazardous materials are only in accordance the regulation of UL-60950 and CAN/CSA C22.2 No. 601.1.

Power Supply Announcement

The Handheld Rugged Tablet PC Power Supplies are supported by a Power Adapter and Battery Pack, the power rating announcement and manufacturer information list are as below.

Power Adapter	Manufacturer: EDAC Power Electronics Co Ltd Model: EA1050C-120 Input Rated: 100-240Vac, 1.8A, 50-60Hz. Output Rated: DC ———— 12V, 4.16A.
Battery Pack	Manufacturer: JHT energy International Co Ltd Model: ALG7-08A Rated: 2600mAh DC 7.4V



(1) Please be aware that the power code of the adapter needs to be grounded.



(2) Please notice the Power button needs to be pressed down for at least 4 seconds to go to power off or on.

Battery Notice!

WARNING

Do not fix or replace the battery, this may cause explosion! Use only with the battery specified by the manufacturer and follow the instructions in the user's guide.

Content

CHAPTER 1

INSTALLATION	7
1.1 INTRODUCTION	8
1.2 INSTALLATION	9-10

CHAPTER 2

POWER AND I/O CONNECTOR SPECIFICATION	11
2.1 I/O SPECIFICATION	12
2.1.1 POWER INPUT	12
2.1.2 SERIAL COM PORTS	12
2.1.3 ETHERNET INTERFACE	12
2.1.4 USB PORTS	13
2.1.5 FAN	13
2.2 POWER SPECIFICATION	13

APPENDIX – DOCKING SYSTEM DIAGRAM	14
APPENDIX A: FUNCTION BLOCK DIAGRAM	14
APPENDIX B: EXPLODED DIAGRAM	15

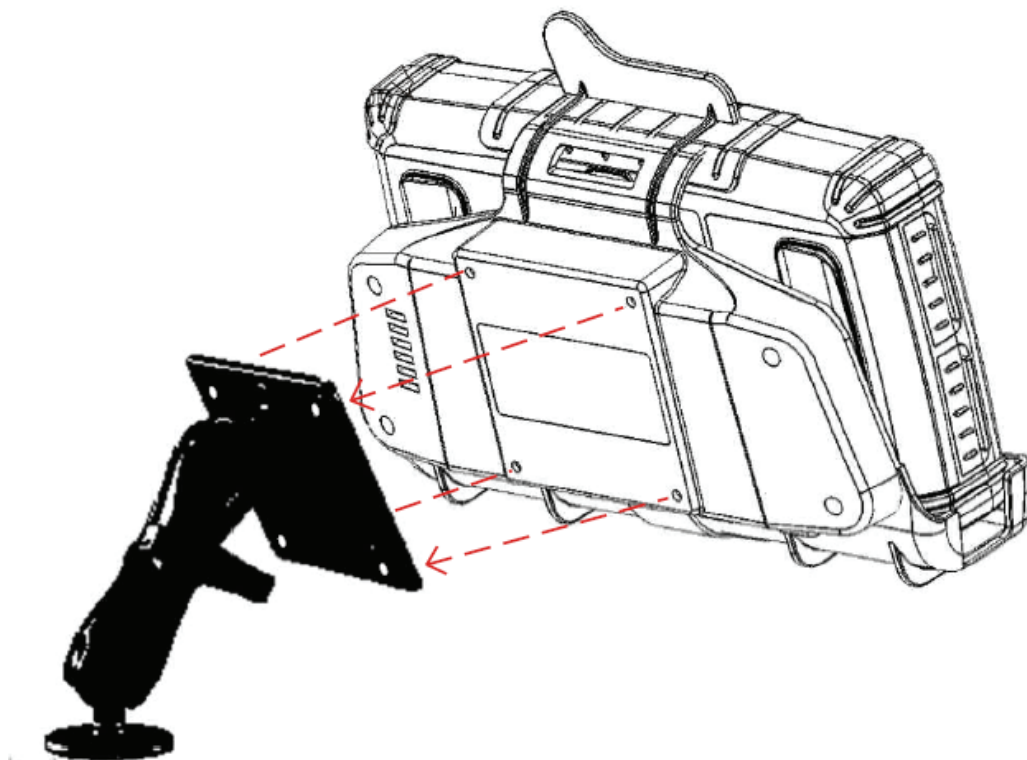
Chapter 1

Installation

This Chapter introduces how to install the 7" Handheld Algiz 7 to the vehicle mount docking kit.

1.1 Introduction

The Algiz 7 must be properly installed, according to the following instructions. You will need the appropriate fasteners, tools, and mounting kits listed in each section. When screwing, always check what is on the opposite side of the surface. We recommended using the universal RAM-mount kit with the 75mm*75mm VESA holes in general vehicle applications which will provide a clear, glare-free view of the display and a stable mounting solution that makes operating the control buttons or touch screen easy. The schematic diagram is shown below. If you experience difficulty installing the 7" Handheld Algiz 7 PC, seek the assistance of a professional installer or contact Handheld Group directly.

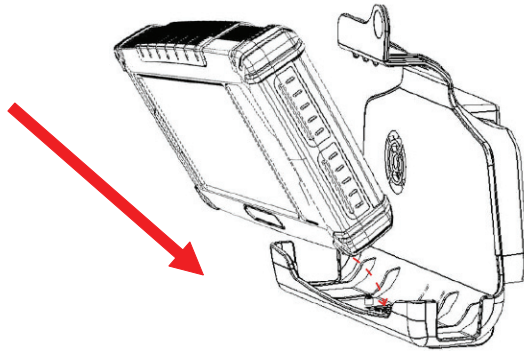


1.2 Installation

Install the Algiz 7 handheld tablet pc to the vehicle mount docking station

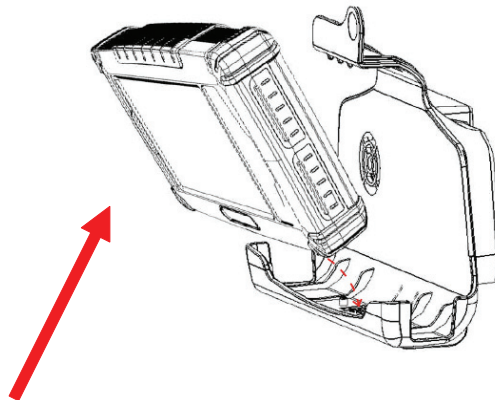
①

Put the female docking connector with the male docking pins on the vehicle mount docking station.



②

Connect them and push the top of the tablet pc into the vehicle mount docking station.



③

When you hear the “clark” sound, it means you have a proper connection

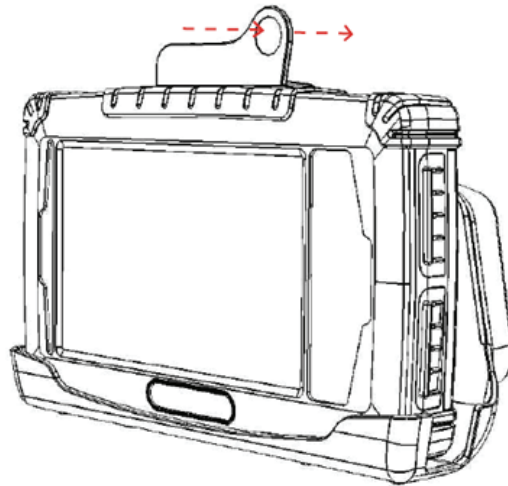


1.2 Installation

To remove the Algiz 7 handheld tablet pc from the vehicle mount docking station:

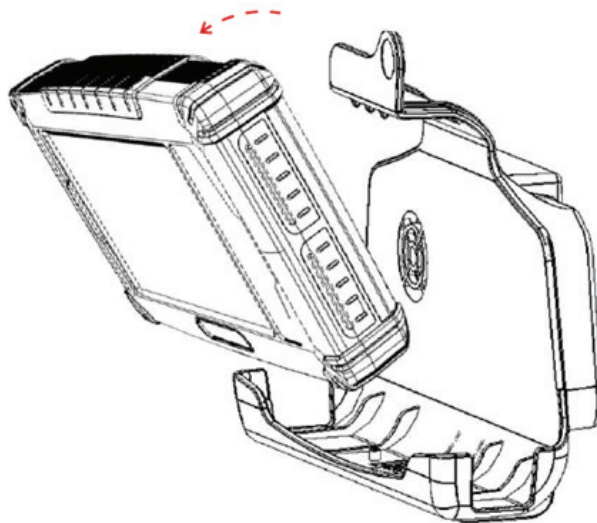
①

Press the unlock handle.



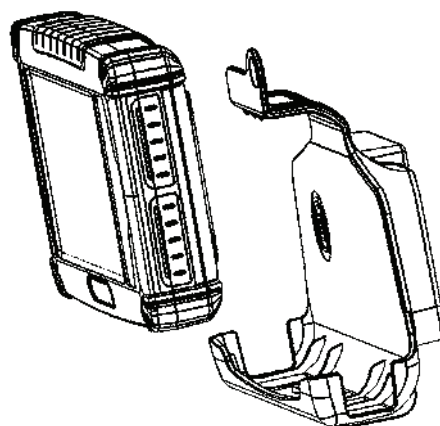
②

Then push the top part of the tablet PC out from the vehicle mount docking station.



③

Remove it.

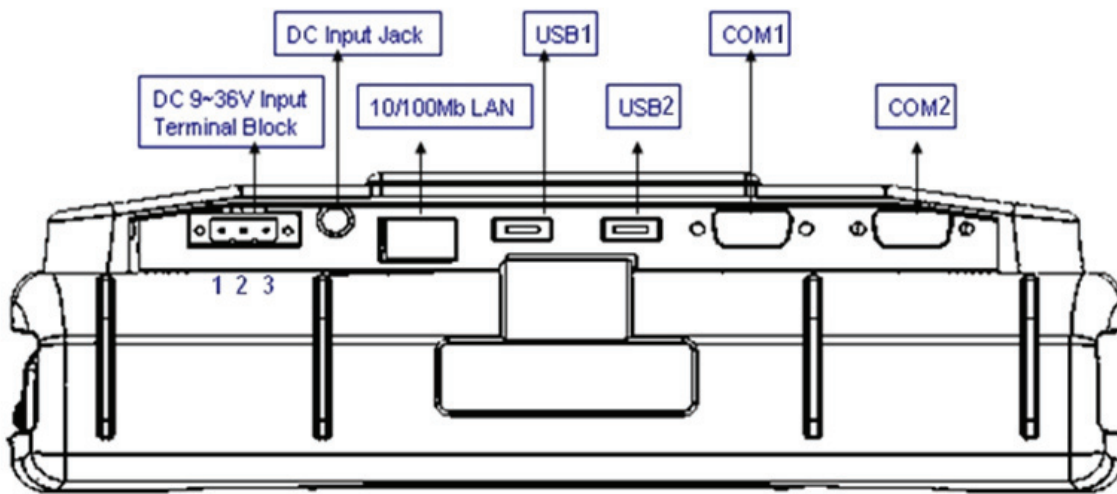


Chapter 2

Power and I/O Connector Specification

This Chapter describes the vehicle mount docking station connector types.

2.1 I/O Specification



2.1.1 Power Input

There are two approaches to connecting to the power source, as described below. Using both of these in wide voltage range between 9~36V is acceptable.

1. 1 x DC 3 pins terminal block.

Pin 1	Vin +
Pin 2	Vin -
Pin 3	N.C.

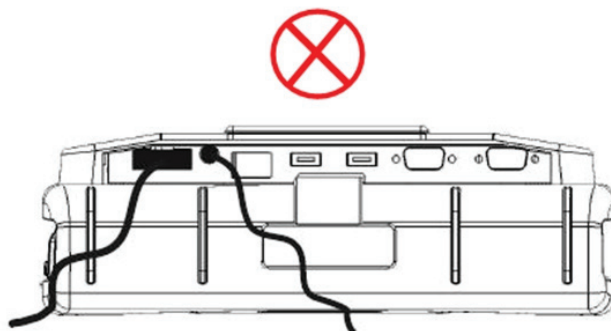
2. 1 x DC Input Jack (Optional)

The vehicle mount docking station can be plugged into a cigarette power plug or the original AC/DC adapter.



CAUTION:

Use only with approved cigarette power adaptors or AC/DC adapters. Use of other cigarette power plugs or AC/DC adapters may cause damages to the Vehicle docking or the Algiz 7. Do not use the cigarette power plug and the AC/DC adapter simultaneously.



2.1.2 Serial COM ports

Two RS-232 connectors that can be connected to other RS-232 devices.

2.1.3 Ethernet interface

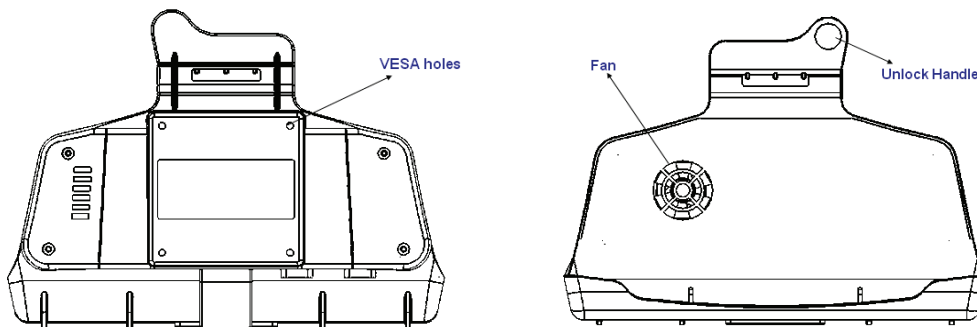
The Ethernet port provides one standard RJ-45 port. Two LEDs are built into the RJ-45 LAN connector showing the LAN connection status.

2.1.4 USB ports

The vehicle mount docking station supports two USB 2.0 ports. USB 2.0 support requires both an operating system and drivers that fully support USB 2.0 transfer rates.

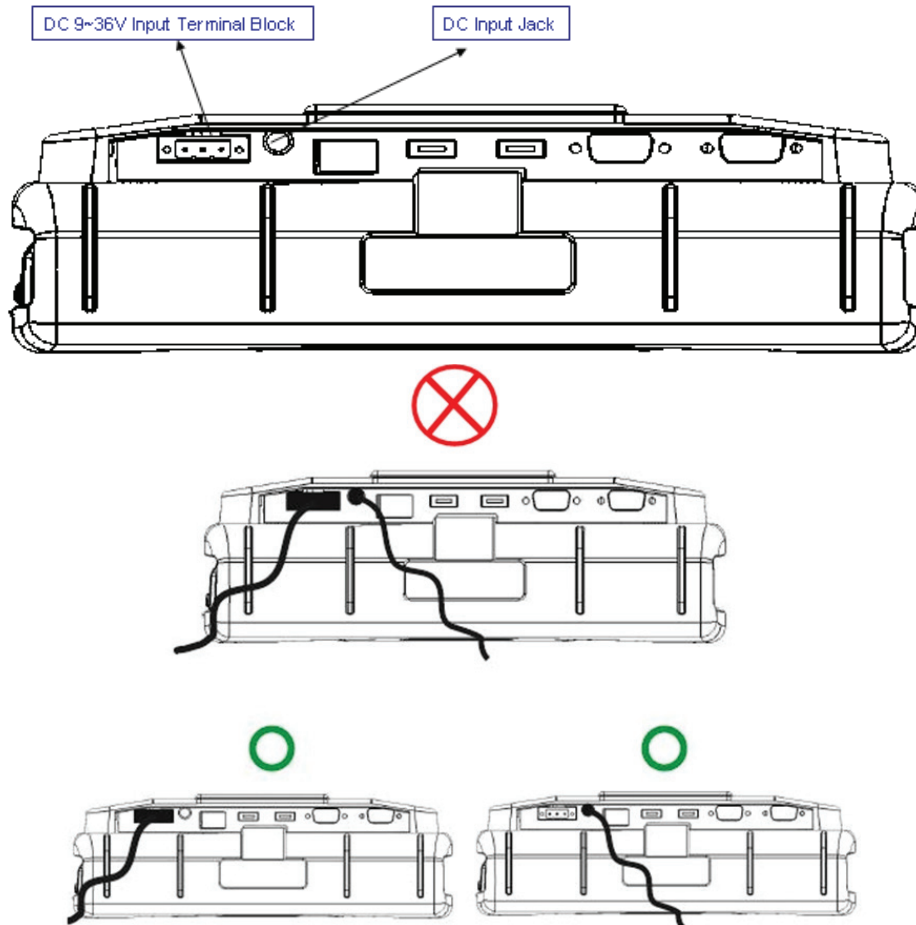
2.1.5 Fan

One cooling Fan is designed to add the ventilation of both the vehicle mount docking and the tablet PC while docked.



2.2 Power Specification

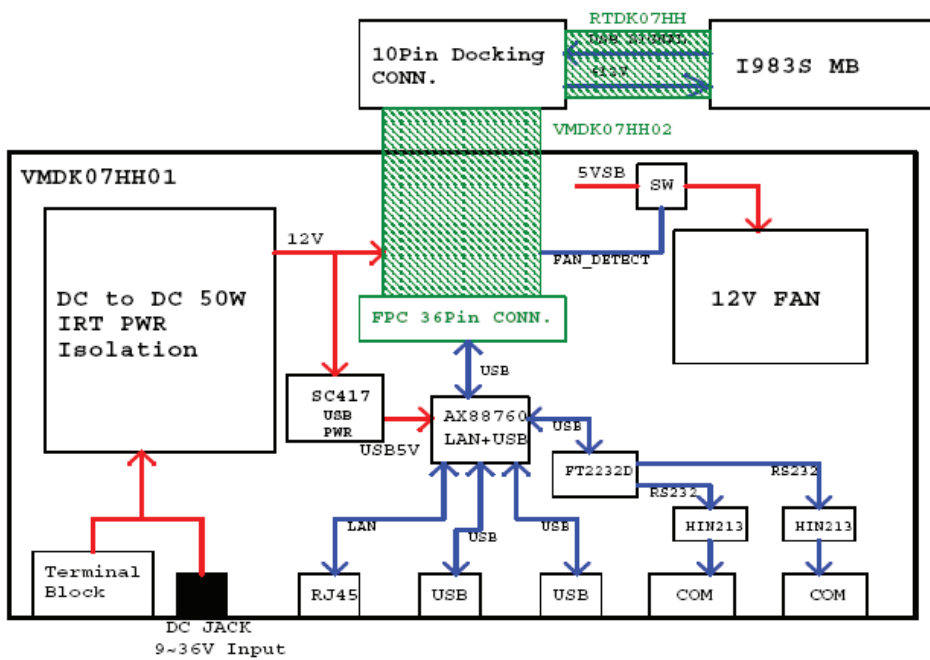
The vehicle dock is equipped with two kinds of DC input choices. One is for a DC 9~36V input terminal block connector and another is for an AC/DC adaptor. Users can choose the appropriate connector to use, but do not connect the power source to both of these at the same time.



Appendix – Docking System Diagram

Appendix A: Function Block Diagram

Docking Function Bolck



Appendix B: Exploded Diagram

The exploded diagram is shown as below. There are front and rear covers, PCB, docking connector, fan, etc.

